

(1) SMR Code	(2) Federal Stock Number	Description	(4) Unit Of Meas.	(5) Qty Inc in Unit	(6) 15-day organizational Maintenance interval				(7) Illustration	
					(a) 1-5	(b) 6-20	(c) 21-50	(d) 51-100	(a) Figure No.	(b) Item No.
		Reference number & mfg. code								
		Usable on code								
		GROUP 13—WHEELS								
		1311—WHEEL ASSEMBLY								
P-O	5365-423-2546	RING, RETAINING, SNAP: hub (inner) 7348984 (19207)	EA	4	*	*	*	*	40	1
P-O	5330-291-7951	SEAL, PLAIN, ENCASED: hub (inner) 387226 (21450)	EA	4	*	*	*	*	40	2
P-O	3110-100-3563	CONE, TAPERED ROLLER BEARING: (hub inner) 705472 (21450)	EA	4	*	*	*	*	40	3
P-O	3110-100-0567	CUP, TAPERED ROLLER BEARING: hub (inner) 706873 (19207)	EA	4	*	*	*	*	40	4
P-O	5306-499-9202	STUD, WHEEL HUB: left hand 924629 (12204)	EA	10	*	*	*	*	40	5
P-O	5306-151-2066	STUD, WHEEL HUB: right hand MS20074-08-14 (96906)	EA	10	*	*	*	*	40	5
P-O	2530-423-2697	HUB, ASSEMBLY: w/ cup 7349046 (19207)	EA	4	*	*	*	*	40	6
P-O	3110-100-0365	CUP, TAPERED ROLLER BEARING: hub outer 706751 (19207)	EA	4	*	*	*	*	40	7
P-O	3110-100-0754	CONE AND ROLLERS, TAPERED ROLLER BEARING: hub outer 705277 (21450)	EA	4	*	*	*	*	40	8
P-O	5310-423-2583	NUT, ADJUSTING, HUB BEARING: w/ pin assembly (inner) 915393 (21450)	EA	4	*	*	*	*	40	9
P-O	2530-734-9223	LOCK: hub bearing adjusting nut 7349225 (19207)	EA	4	*	*	*	*	40	10
P-O	5310-275-3600	NUT, PLAIN, OCTAGON, JAM: front hub bearing adjusting nut (outer) 7348981 (19207)	EA	4	*	*	*	*	40	11

OES

Oshkosh
Parts Sales

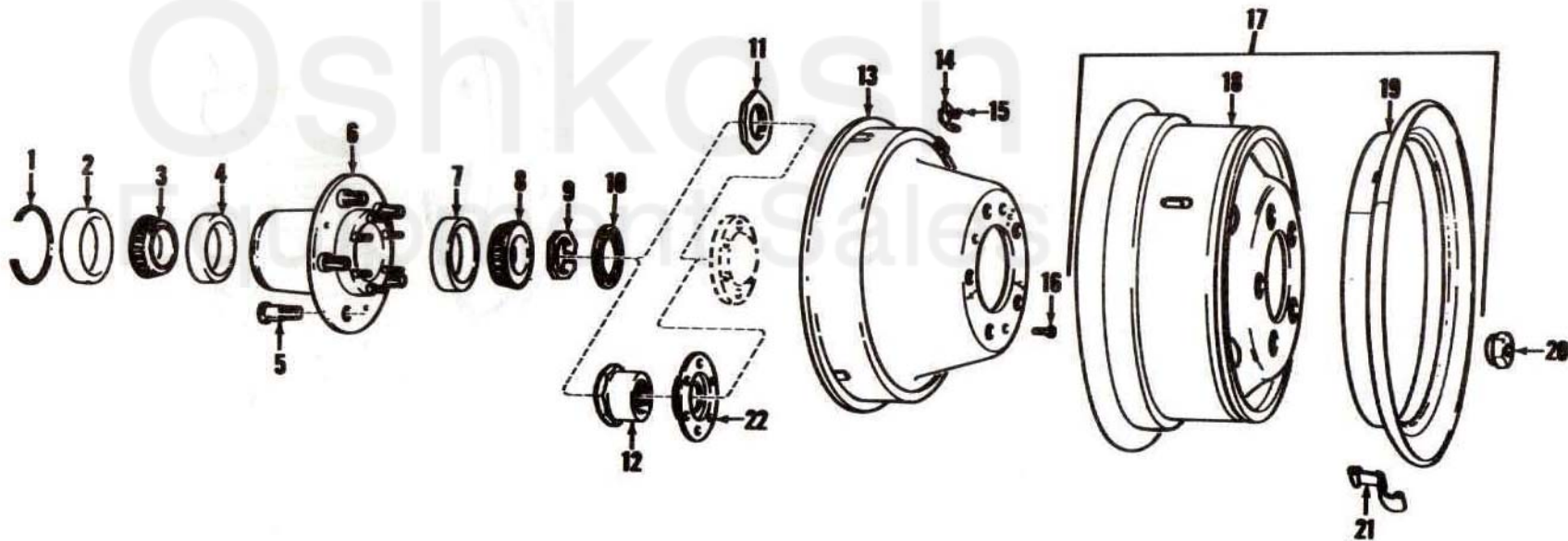


Figure 10. Wheels